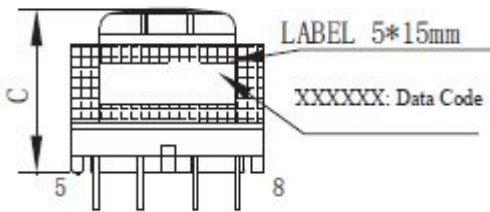
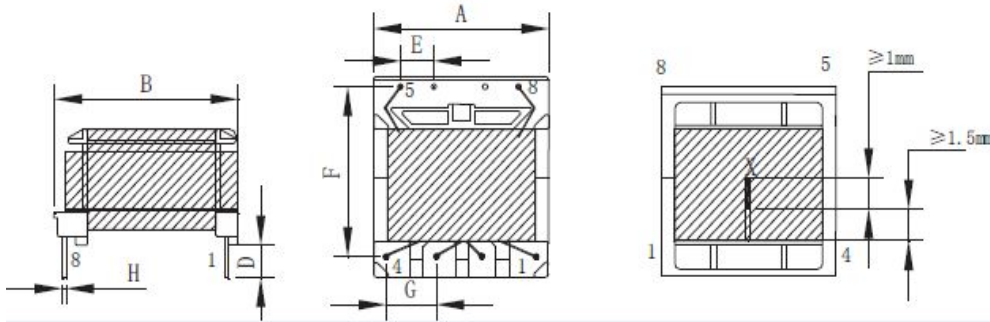


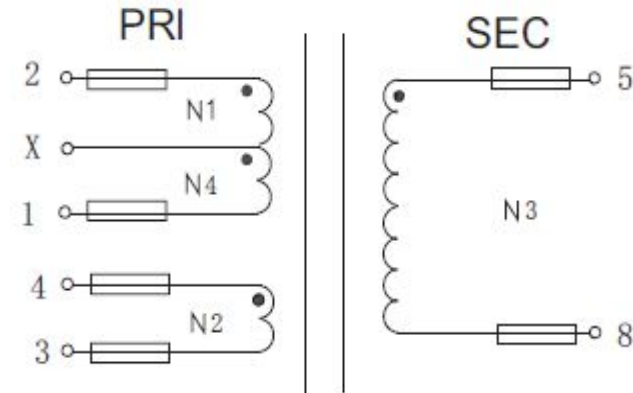
CUSTOMER TERMINAL	ROHS	Lead(Pb)-free
	YES	YES

## 1. Mechanical Dimensions



A	21.0	MAX
B	23.0	MAX
C	18.0	MAX
D	3.5	±0.5
E	4.0	±0.3
F	18.2	±0.4
G	5.0	±0.3
H	0.80	±0.1

## 2. Schematic Diagram



## 3. Material List

Core:FW44 EE20/20/6  
 Bobbin:FVB2010(4+4PIN)  
 Wire:2UEW TIW  
 Operating Temperature: -30 to115 °C

## 4. Electrical Specification

Inductance :  $L(2-1):1000\mu H \pm 5\%$  20KHZ , 0.25V  
 Leakage Inductance : 22uH MAX 20KHZ , 0.25V  
 DCR : (5-8)=343mΩ MAX (2-1)=2.35Ω MAX  
 Hi-Pot:P-S: AC 60Hz 4000V 1mA 3S  
 P-CORE: AC 60Hz 500V 1mA 3S

REV.	DATE	 Convention Placement	DRW.	Drawing Title:	Part No:		
0	00/00		CHK.			<b>TRANSFORMER</b>	FWPTEF20H102J
			APP.			Customer P/N	Specification Sheet 1of 1
<b>ROHS</b>		<a href="http://www.ferriwo.com">www.ferriwo.com</a>					